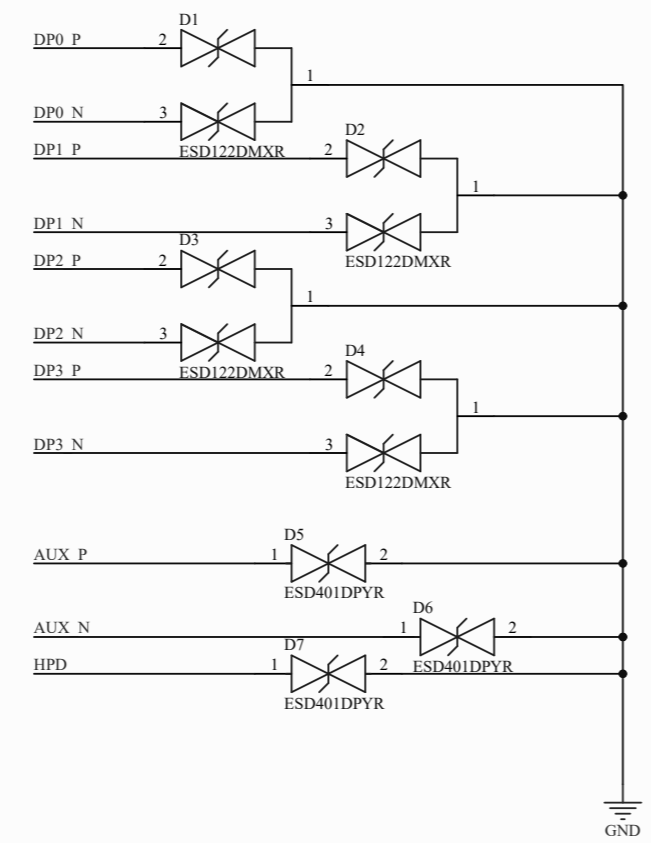
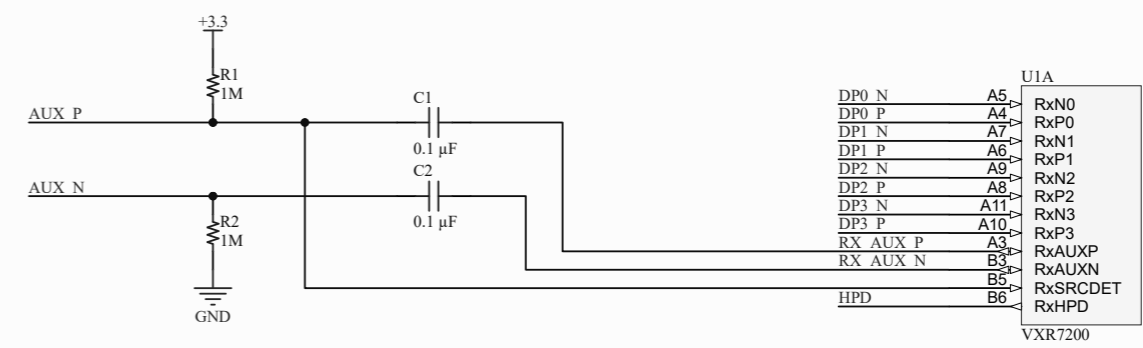
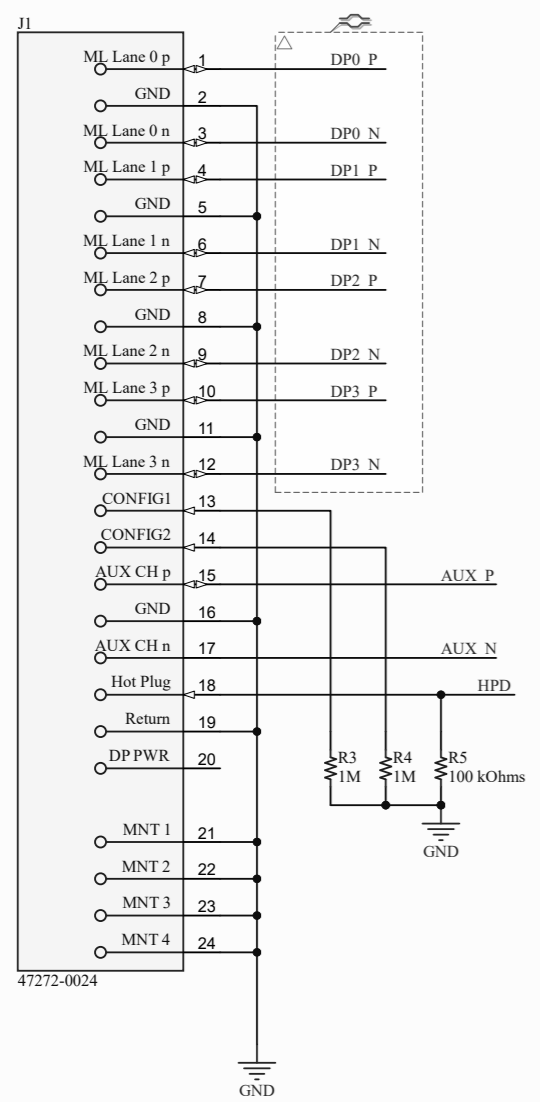
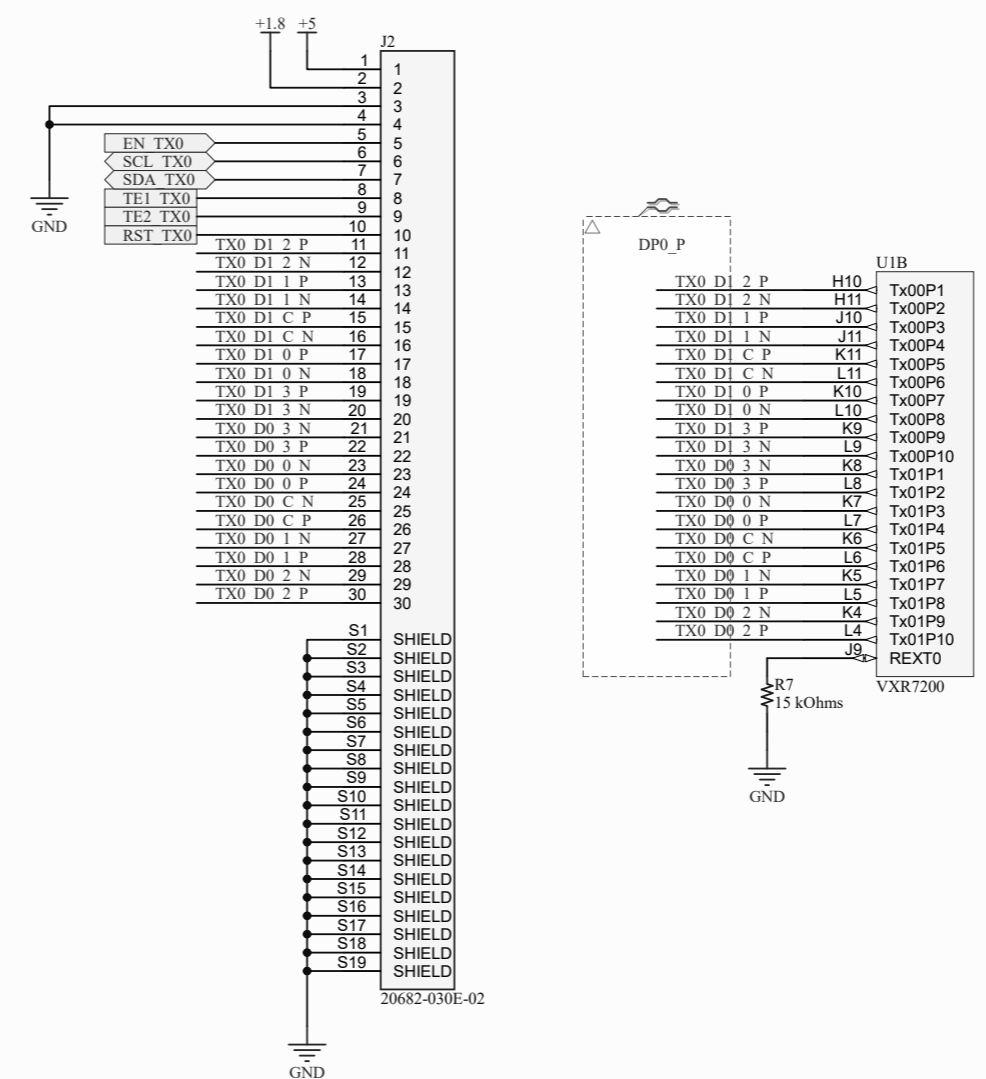


DWG. NO.	REV.	SHT.	1
REVISION	DESCRIPTION	DATE	APPROVED



APPROVALS	DATE	PROJECT	* SimulaVR	
ENG: *	---/---/---	PROJECT REVISION:	DOCUMENT REVISION:	DESIGN ITEM:
DSN: *	---/---/---	8ab8447fc93aa459664707642059d072b4f5b4089cf3ca3683c6f6		
CHK: *	---/---/---	TITLE		
REFERENCE DOCUMENTS		*		
BOM:	SIZE	CAGE CODE	DWG. NO.	REV
ASSY DWG:	B			
FAB DWG:	SCALE:	FILE NAME	RX_DP.SchDoc	SHEET 1 OF 7
PCB DWG:				

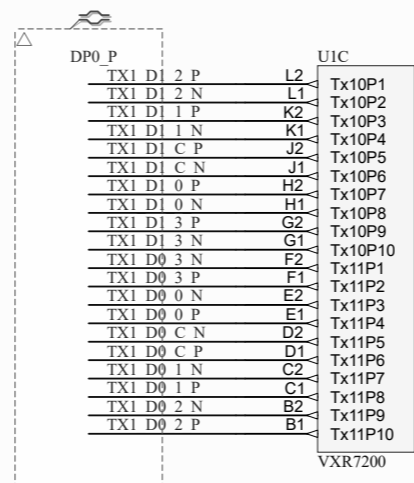
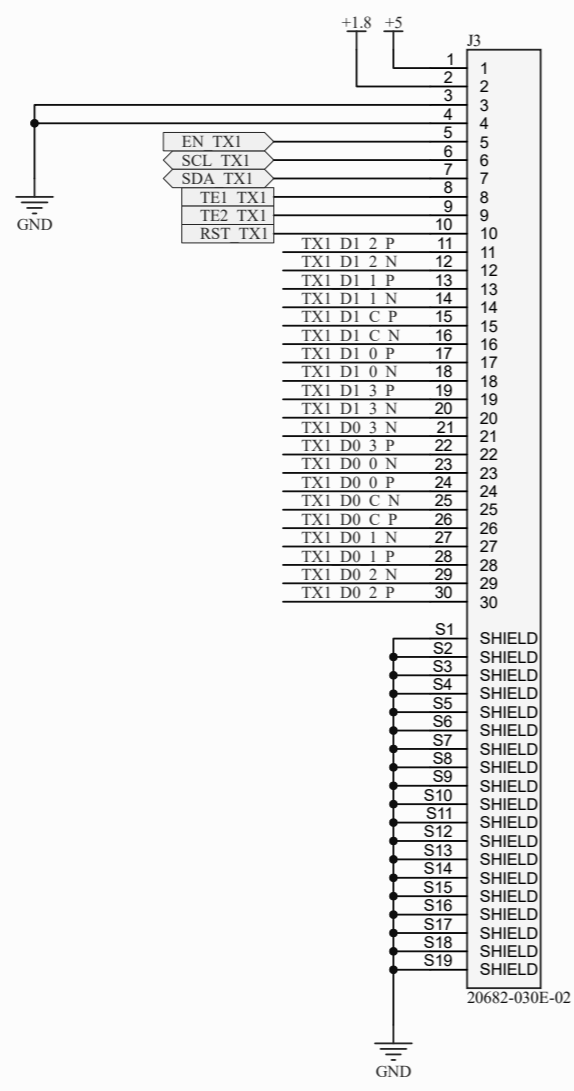
DWG. NO.	REV.	SHT.	2	1
REVISION	DESCRIPTION	DATE	APPROVED	



APPROVALS	DATE	PROJECT	* SimulaVR		
ENG: *	---/---/---	PROJECT REVISION:	DOCUMENT REVISION:	DESIGN ITEM:	8ab8447fc93aa45966470cbcd0c33e079e
DSN: *	---/---/---	TITLE			
CHK: *	---/---/---	*			
REFERENCE DOCUMENTS		SIZE	CAGE CODE	DWG. NO.	REV
BOM:		B			
ASSY DWG:		SCALE:	FILE NAME	TX0.SchDoc	SHEET 2 OF 7
FAB DWG:					
PCB DWG:					

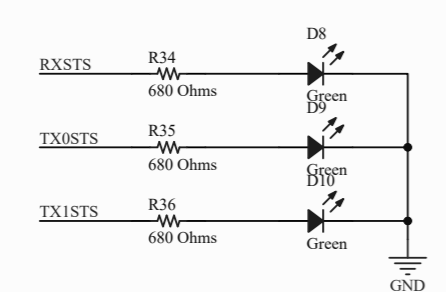
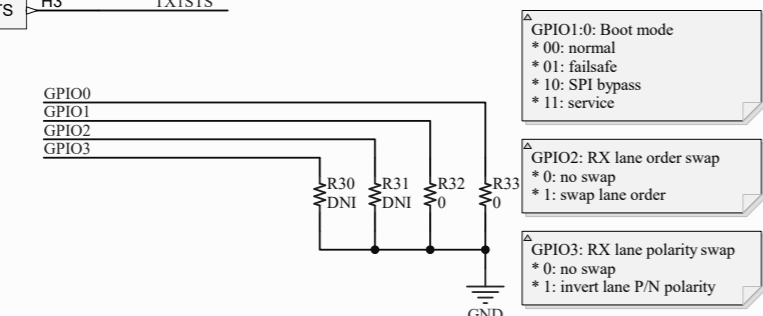
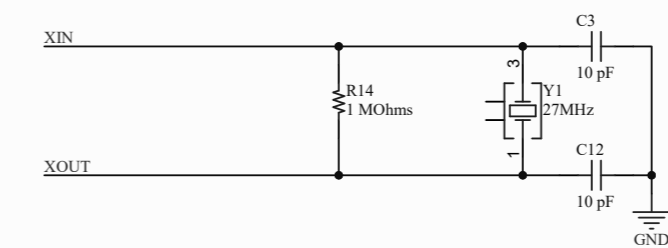
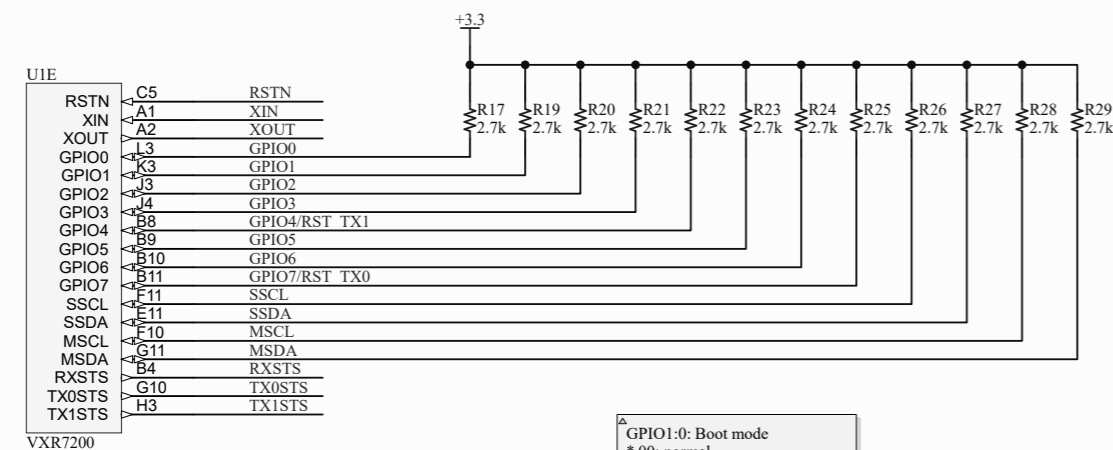
DWG. NO. REV. / SHT. 2

DWG. NO.	REV.	3	SMT.
REVISION	DESCRIPTION	DATE	APPROVED



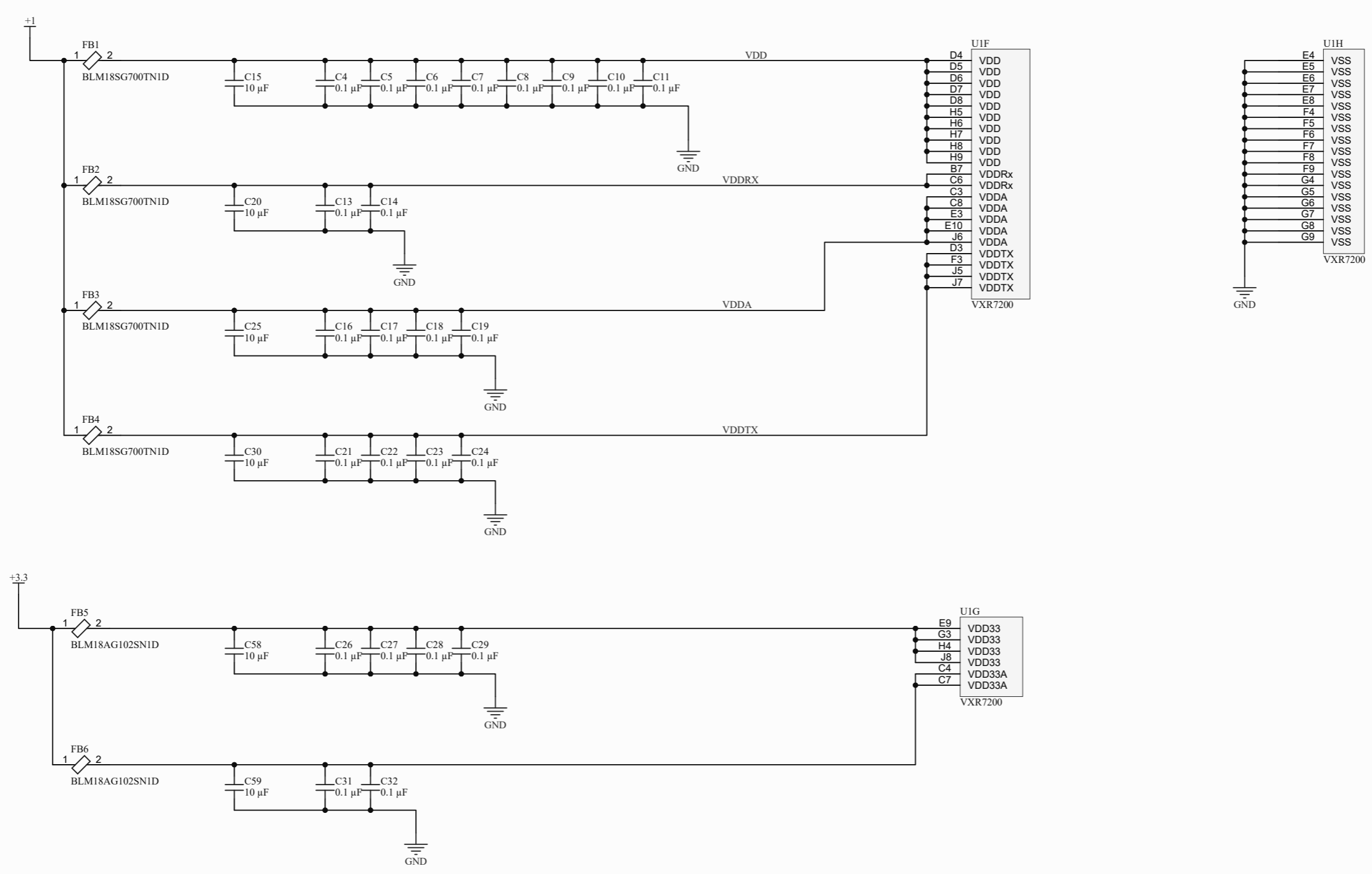
APPROVALS	DATE	PROJECT	* SimulaVR	
ENG: *	--/--	PROJECT REVISION:	DOCUMENT REVISION:	DESIGN ITEM:
DSN: *	--/--	8ab8447fc93aa45966470cbcd0c33e079e		
CHK: *	--/--	TITLE *		
REFERENCE DOCUMENTS				
BOM:				
ASSY DWG:	SIZE	CAGE CODE	DWG. NO.	REV
FAB DWG:	B			
PCB DWG:	SCALE:	FILE NAME	TX1.SchDoc	SHEET 3 OF 7

REVISION	DESCRIPTION	DATE	APPROVED



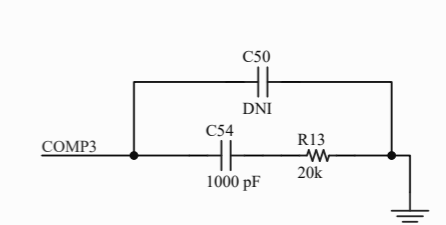
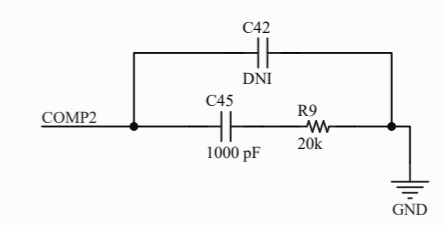
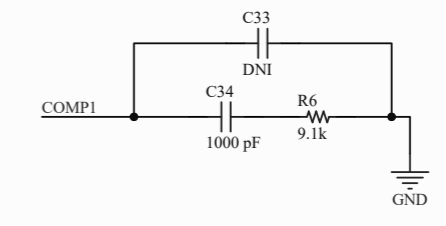
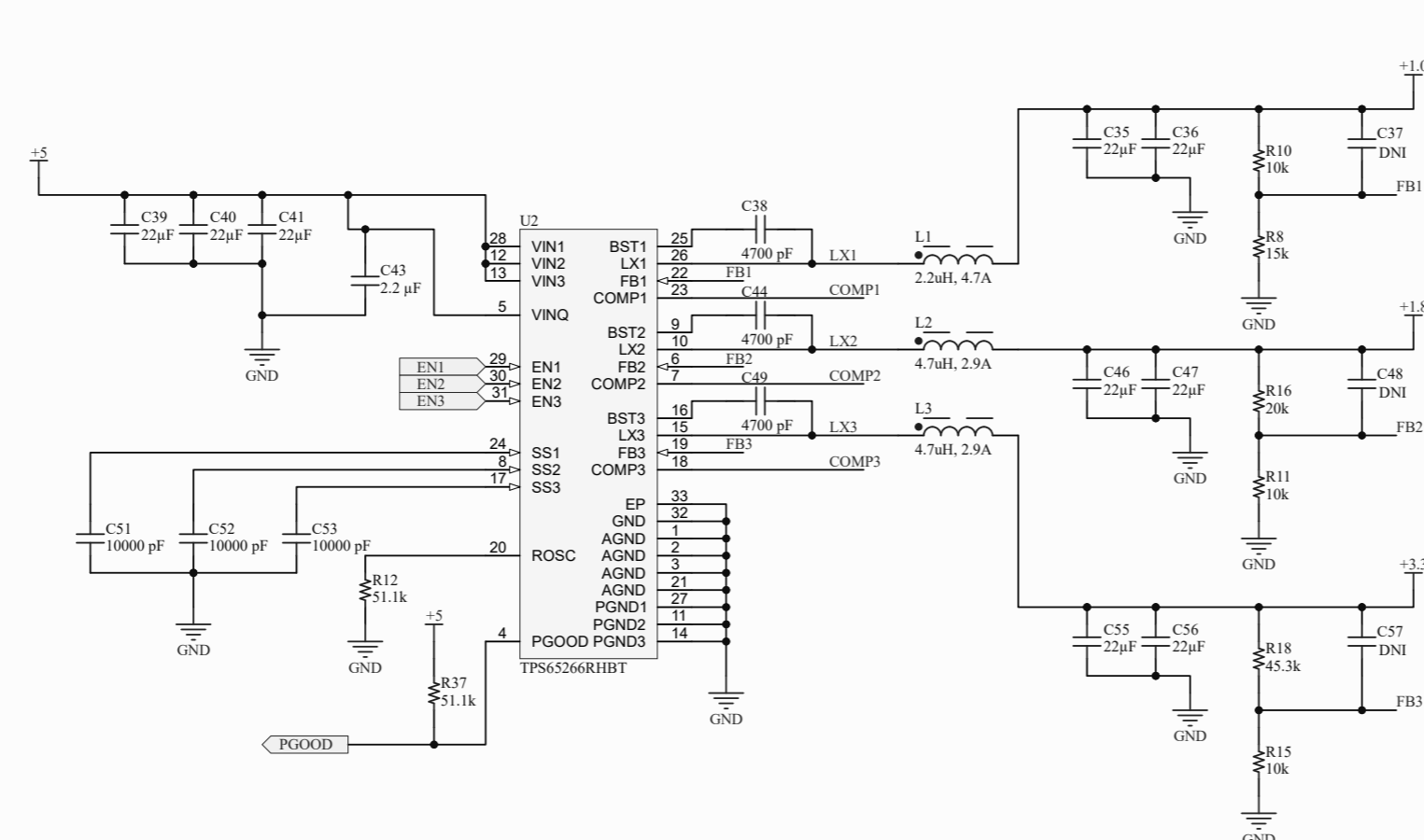
APPROVALS	DATE	PROJECT	* SimulaVR		
ENG: *	--/--	PROJECT REVISION:	8ab8447fc93aa4596647660006320782af59191ef64ed0a051304		
DSN: *	--/--	DOCUMENT REVISION:	8ab8447fc93aa4596647660006320782af59191ef64ed0a051304		
CHK: *	--/--	DESIGN ITEM:	8ab8447fc93aa4596647660006320782af59191ef64ed0a051304		
REFERENCE DOCUMENTS		TITLE	*		
BOM:	SIZE	CAGE CODE	DWG NO.	REV	
ASSY DWG:	B				
FAB DWG:	SCALE:	FILE NAME	Control.SchDoc	SHEET	4 OF 7
PCB DWG:					

DWG. NO.	REV.	5	SMT.
REVISION	DESCRIPTION	DATE	APPROVED



APPROVALS	DATE	PROJECT	SimulaVR	
ENG: *	--/--	*		
DSN: *	--/--	PROJECT REVISION:	DOCUMENT REVISION:	DESIGN ITEM:
CHK: *	--/--	8ab8447fc93aa45966476600d6132b782af59191ef64ed0a051304		
REFERENCE DOCUMENTS		TITLE		
BOM:		*		
ASSY DWG:	SIZE	CAGE CODE	DWG. NO.	REV
FAB DWG:	B			
PCB DWG:	SCALE:	FILE NAME	PDN.SchDoc	SHEET 5 OF 7

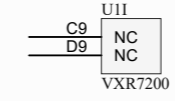
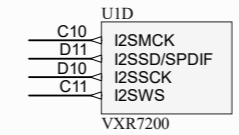
DWG. NO.	REV.	SHT.	1	2	3	4	5	6	7	8
REVISION			DESCRIPTION			DATE		APPROVED		



▲ Make sure the power input is TVS protected, reverse polarity protected, etc.

APPROVALS	DATE	PROJECT	* SimulaVR		
ENG: *	---	PROJECT REVISION:	DOCUMENT REVISION:	DESIGN ITEM:	8ab8447fc93aa45966470cbcd0c33e079e
DSN: *	---	TITLE	*		
CHK: *	---	REFERENCE DOCUMENTS			
BOM:		SIZE	CAGE CODE	DWG. NO.	REV
ASSY DWG:		B			
FAB DWG:		SCALE:	FILE NAME	Supplies.SchDoc	SHEET 6 OF 7
PCB DWG:					

DWG. NO.	REV.	7	SHT.
REVISION	DESCRIPTION	DATE	APPROVED



APPROVALS	DATE	PROJECT	SimulaVR	
ENG: *	--/--	*		
DSN: *	--/--	PROJECT REVISION:	DOCUMENT REVISION:	DESIGN ITEM:
CHK: *	--/--	8ab8447fc93aa459664767642089d072b485b4089cf3ca3683c6f6		
REFERENCE DOCUMENTS		TITLE		
BOM:		*		
ASSY DWG:	SIZE	CAGE CODE	DWG NO.	REV
FAB DWG:	B			
PCB DWG:	SCALE:	FILE NAME	Misc.SchDoc	SHEET 7 OF 7

