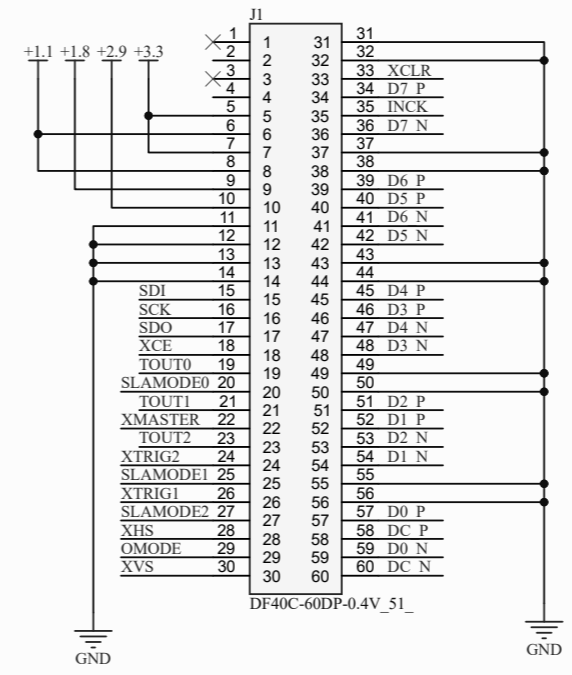
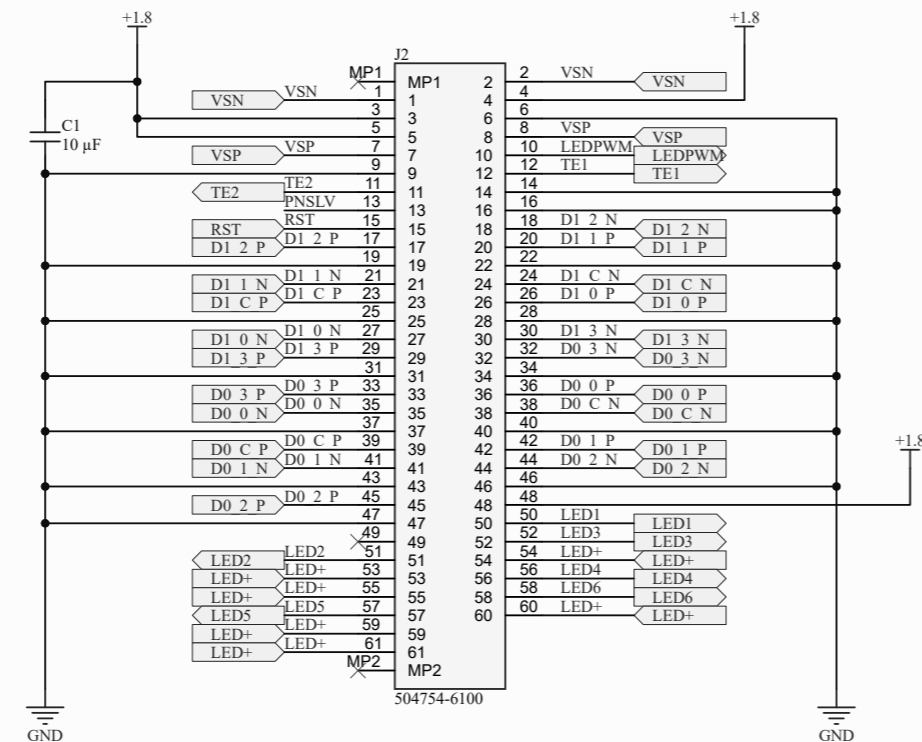


DWG. NO.	REV.	1	SHT.
REVISION	DESCRIPTION	DATE	APPROVED



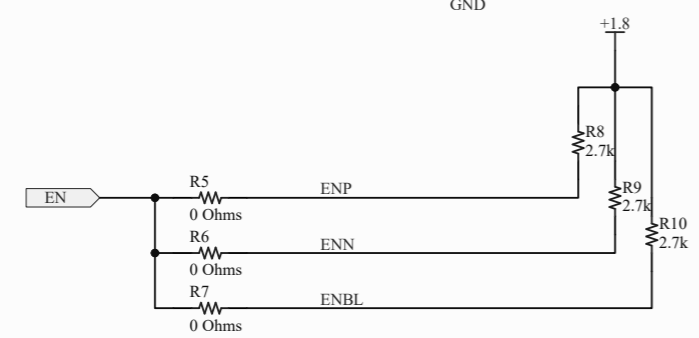
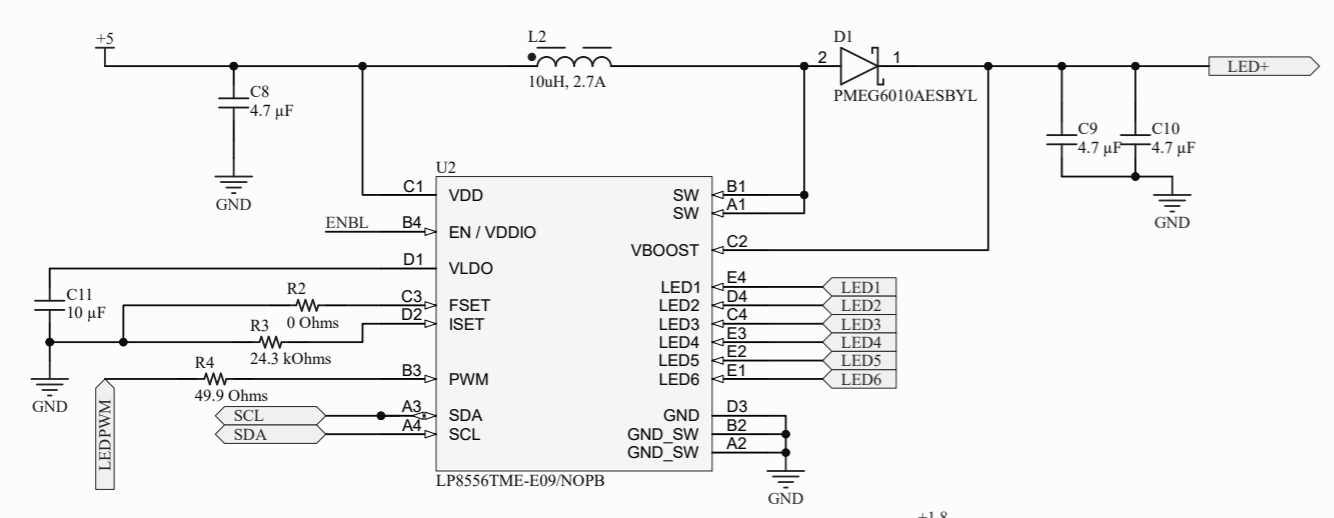
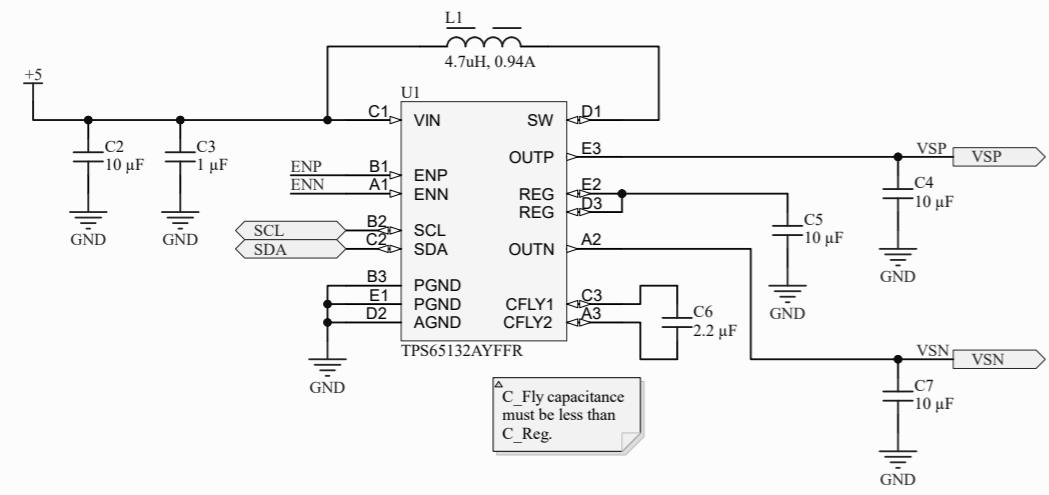
APPROVALS	DATE	PROJECT	SimulaVR	
ENG: *	--/--	*	PROJECT REVISION: 0be95b9209283266a1b84dc2e88572598e469636ab4fbc74c7a88b6	
DSN: *	--/--		DOCUMENT REVISION: 1	
CHK: *	--/--		DESIGN ITEM: 0be95b9209283266a1b84dc2e88572598e469636ab4fbc74c7a88b6	
REFERENCE DOCUMENTS		TITLE		
BOM:		*		
ASSY DWG:	SIZE	CAGE CODE	DWG NO.	REV
FAB DWG:	B			
PCB DWG:	SCALE:	FILE NAME	CameraConn.SchDoc	SHEET 1 OF 5

DWG. NO.	REV.	2	SMT.
REVISION	DESCRIPTION	DATE	APPROVED



APPROVALS	DATE	PROJECT	* SimulaVR		
ENG: *	--/--	PROJECT REVISION:	DOCUMENT REVISION:	DESIGN ITEM:	
DSN: *	--/--	0be95b9209283266a1b84dc288572598e46936ab4fbc74c7a8b6			
CHK: *	--/--	TITLE			
REFERENCE DOCUMENTS		*			
BOM:		SIZE	CAGE CODE	DWG. NO.	REV
ASSY DWG:		B			
FAB DWG:		SCALE:	FILE NAME	DisplayConn.SchDoc	SHEET 2 OF 5
PCB DWG:					

DWG. NO.	REV.	3	SMT.
REVISION	DESCRIPTION	DATE	APPROVED



APPROVALS	DATE	PROJECT	* SimulaVR	
ENG: *	--/--	PROJECT REVISION:	DOCUMENT REVISION:	DESIGN ITEM:
DSN: *	--/--	0be95b9209283266a1b80b9a820958206f1b8bc7eb85185380		
CHK: *	--/--	TITLE	*	
REFERENCE DOCUMENTS		SIZE	CAGE CODE	DWG. NO.
BOM:		B		
ASSY DWG:		SCALE:	FILE NAME	SHEET 3 OF 5
FAB DWG:			DisplaySupplies.SchDoc	
PCB DWG:				

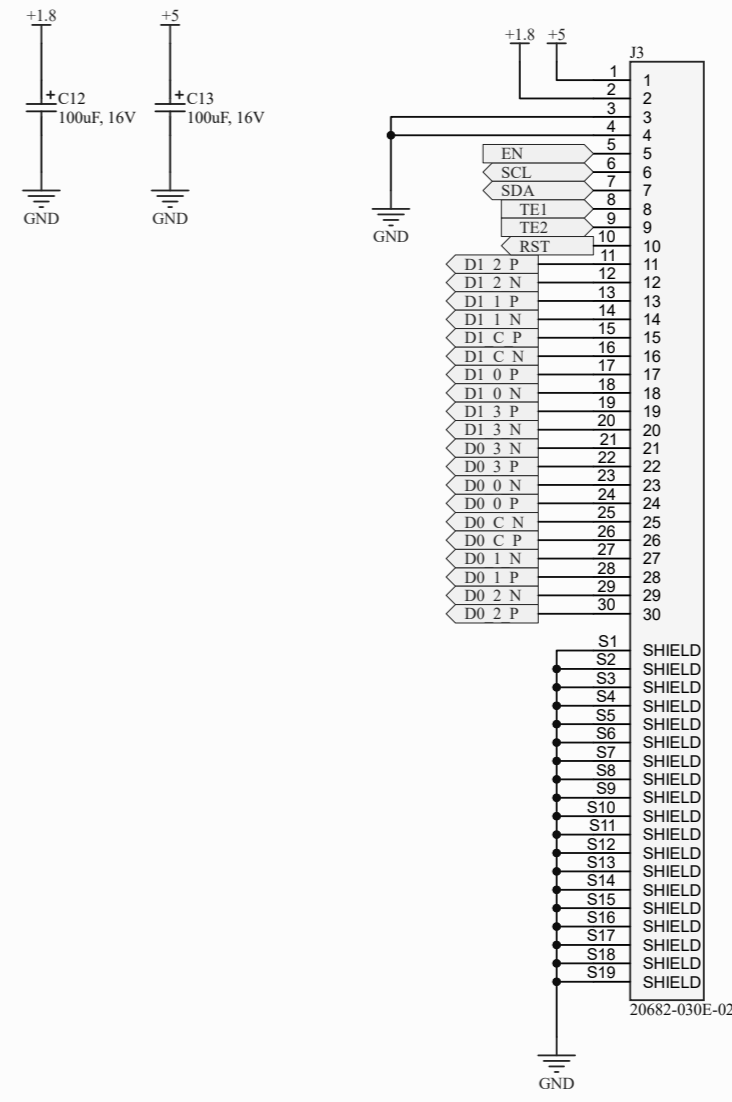
8	7	6	5	4	3			4	2	1			
							DWG. NO.	REV.	SMT.	REVISION	DESCRIPTION	DATE	APPROVED
F											F		
E											E		
D											D		
C											C		
B											B		
A											A		
8	7	6	5	4	3	2	1						

APPROVALS		DATE	PROJECT	
ENG:	*	--/--	*	
DSN:	*	--/--	PROJECT REVISION:	
CHK:	*	--/--	DOCUMENT REVISION:	
REFERENCE DOCUMENTS			DESIGN ITEM:	
BOM:			TITLE	
ASSY DWG:			*	
FAB DWG:			SIZE	CAGE CODE
PCB DWG:			B	
			DWG NO.	REV
			SCALE:	FILE NAME
				CameraSupplies.SchDoc
			SHEET	4 OF 5

SimulaVR

0be95b9209283266a1b84dc288572598e469636ab4fbc74c7a8b66

DWG. NO.	REV.	SHT.	1	2	3	4	5	6	7	8	
REVISION			DESCRIPTION			DATE	APPROVED				



APPROVALS		DATE	PROJECT	
ENG: *		--/--	*	
DSN: *		--/--	PROJECT REVISION: [blank]	
CHK: *		--/--	DOCUMENT REVISION: [blank]	
REFERENCE DOCUMENTS			DESIGN ITEM: [blank]	
BOM:			TITLE	
ASSY DWG:			*	
FAB DWG:			SIZE	CAGE CODE
PCB DWG:			B	
			DWG NO.	REV
			20682-030E-02	
			SCALE:	FILE NAME
				MainboardConn.SchDoc
			SHEET	OF
			5	5

SimulaVR

DWG. NO. 5